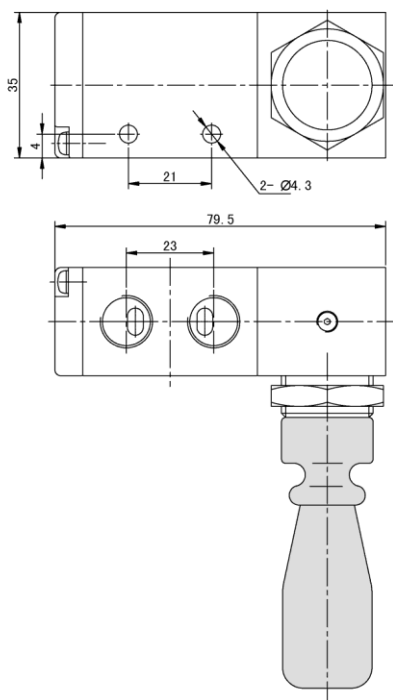
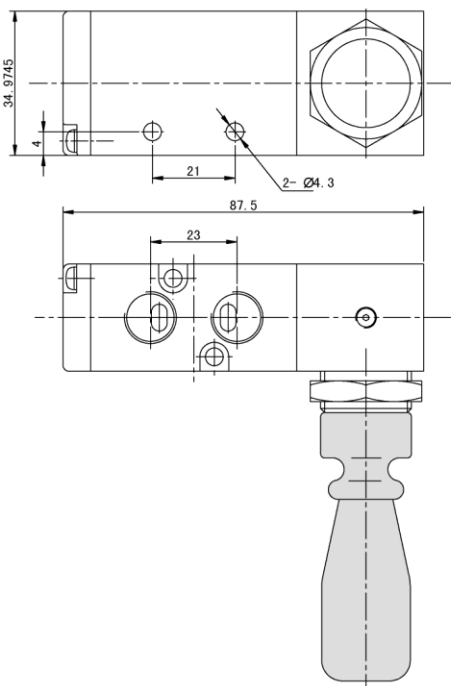
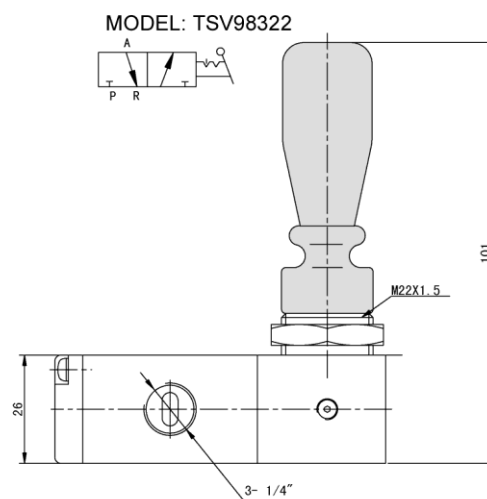
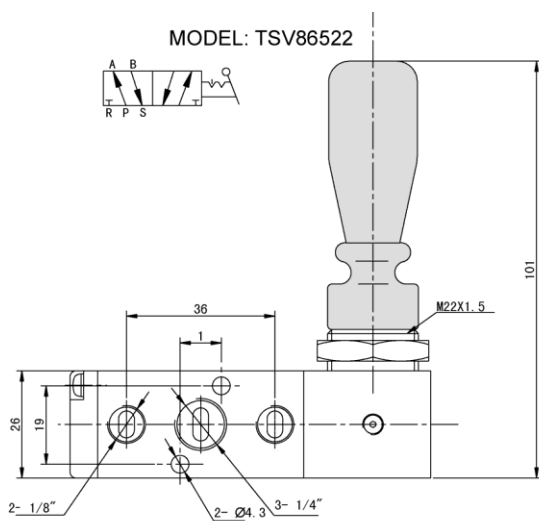


TSV98322 and TSV86522 Dimensions



Specifications	
Model	TSV
Description	Lever Valves
Cv	1.0
Operating Pressure	0 to 115 PSI
Operating Temperature	23 to 140 Deg. F (-5 to 60 Deg. C)
Action	Direct Acting
Working Medium	40 micron filtered air or inert gas
Body Material	Aluminum
Seal Material	NBR
Lubrication	Not Required
Valve Configuration	Functions
2 way valve configurations: 2 position valves	to turn on and off
3 way valve configurations: 2 position valves	to fully extend single acting cylinder
4 way valve configurations: 2 position valves	to fully extend and retract double acting cylinder
4 way valve configurations: 3 position, closed-center valves	to stop a double acting cylinder in partial stroke
4 way valve configurations: 3 position, exhaust-center valves	to have both cylinder ports open to exhaust such that the cylinder can be extended and retracted to facilitate set-up
4 way valve configurations: 3 position, pressure-center valves	to stop a double acting cylinder in partial stroke with pressure on both ends of the cylinder.